



SCREENS

COMPACT RECYCLING FOR WINNERS

RUBBLE MASTER[®]
COMPACT RECYCLER



Profit from mobility: RM crushers and screens are on-site when you need them. Crusher and oversized grain screen are transported on one low-loader.



CE certified grain produced cost-effectively on-site in a single pass: Patented RM solution with mobile system including material return.



Profit from efficiency: large-area screen box, screens for every material, rapid changeover, serviced from the ground.



Modular system for mobile construction material production: can operate fully independently at remote locations thanks to power supplied by crusher.

DEFINED GRAINS FOR HIGHER PROFIT



RUBBLE MASTER screens are the compact class in mobile processing: they can be transported quickly without special permits, are versatile and ideally matched to the high-performance range of RUBBLE MASTER crushers.

They produce high-quality recycled primary and secondary building materials on-site cost-effectively from construction debris and natural rock. The consequent savings in costs for transport, tolls and depot fees – including the cost of purchasing new material – is a decisive competitive advantage. Grading the cubic final grain to the desired classification earns the highest profit.

Solid quality manufacturing, durable components and wear-resistant materials ensure the efficiency and availability of RUBBLE MASTER screen systems – plus maximum profit from each job. Unique RM Lifetime Support provides customer care over the entire service life of each machine. Because we are only satisfied when our customers are successful!

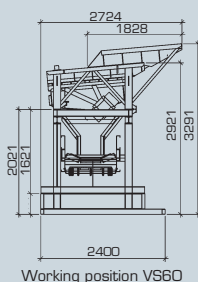
The VS60 is a compact double-deck screen designed to sort and separate fine material from rubble, asphalt, concrete and excavated material. It is therefore the ideal partner for the RUBBLE MASTER RM60 crusher. The two screen decks filter out fine material with precision at the pre-screening stage, which ensures a considerable reduction to wear inside the crusher. The feed hopper is heavily reinforced. Power is supplied from the crusher generator – a huge advantage at remote locations.



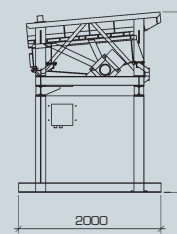
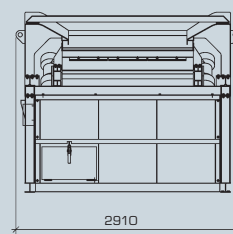
VS60 – THE RELIABLE PRESCREEN

VS60 - semi-mobile linear-oscillation prescreen

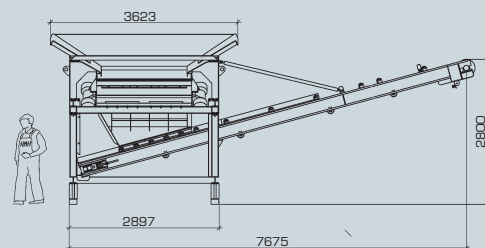
throughput	up to 100 t/h, depending on screen mesh size and feed material	
feed material	rubble, asphalt, concrete, excavated material	
feed material size	edges up to 500 mm long	
screening range	0/20 to 0/75 mm	
transport system	by truck with 2,500 mm load clearance by low-loader (VS60 with additional skids)	
transport weight	2.5 t	
motor rating	2 x 0.95 kW	
type	2 deck	
screen box	top screen length:	1,500 mm
	top screen width:	1,800 mm
	lower screen length:	1,500 mm
	lower screen width:	1,650 mm
	screen angle:	5°
options:	hopper extension	
	side conveyor belt FB800:	
	axle spacing:	8,000 mm
	discharge height:	2,800 mm
	motor rating:	3.0 kW
	total weight:	4.2 t



Working position VS60



Transport position VS60



Working position with FB800

Specifications subject to change in line with technical developments



Highest efficiency - as stand-alone screen or with RM crusher as complete on-site recycling centre



High discharge cone thanks to 2 additional skids and optional 8-metre side conveyor belt



Highest possible throughput in crusher with low wear thanks to pre-screening fine material

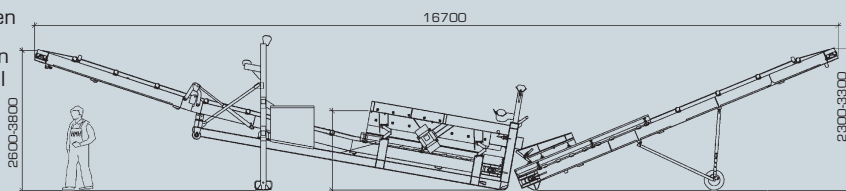
This semi-mobile linear oscillation screen grades recycled grains from waste building material and natural rock as well as round grains to a standardised grain size. The CS2500 is perfectly matched to the RUBBLE MASTER RM60. The throughput capacity of this compact final screen is optimised according to the angle of the screen, mesh gap and the type of feed material. Even when operating at high capacity, the CS2500 achieves very accurate separation and requires very little maintenance thanks to its self-cleaning screen deck. The two conveyor belts have an impressive discharge height. The screened grain conveyor belt is safely integrated into the framework and is folded away hydraulically prior to transport. The CS2500 can then be simply transported to the job site using a hook-lift truck. Power is supplied from the crusher generator – a huge advantage at remote locations.



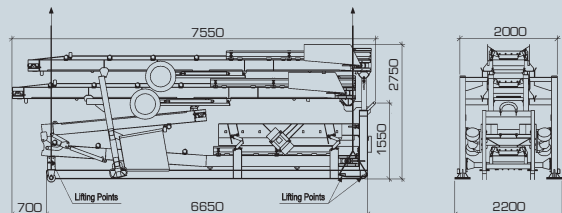
CS2500 – THE COMPACT SINGLE DECK FINAL SCREEN

CS2500 - semi-mobile linear-oscillation final screen

throughput	up to 80 t/h, depending on screen angle, mesh size and feed material
feed material	crushed grains (rubble, concrete, asphalt, rock), round grains
feed material size	edges up to 70 mm long
screening range	0/4 to 0/40 mm
transport system	by hook-lift truck
transport weight	4.0 t
type	1 deck
motor rating	2 x 0.95 kW, vibrator motors
screen box	screen length: 2,500 mm screen width: 1,000 mm
discharge belts	1 for oversized grain and 1 for screened grain screened grain belt, hydraulic-folding: axle spacing: 9,500 mm discharge height: 2,600 - 3,800 mm oversized material belt: axle spacing: 6,700 mm discharge height: 2,300 - 3,300 mm
options	second screen deck with additional conveyor belt for oversized material (throughput up to 100 t/h, total weight 4.7 t)



Working position



Transport position

Specifications subject to change in line with technical developments



Throughput capacity up to 100 t/h with double-deck version – highest separation accuracy



Versatile and very efficient for sorting recycling building materials and natural rock



Compact, lightweight and mobile: the CS2500 is quickly transported to any job site using a hook-lift truck

This high-performance linear oscillation screen is extremely efficient for refining crushed grains from waste building material or natural rock as well as round grains to two standardised grain sizes. The CS3600/2 matches the powerful RUBBLE MASTER RM70 and RM80 crushers and delivers 100% screening accuracy even at the highest throughput. The throughput capacity of this compact double-deck screen is optimised according to the angle of the screen, mesh gap and the type of feed material. It requires very little maintenance thanks to its self-cleaning screen decks and features impressive discharge heights on the three conveyor belts. The screened grain conveyor belt is safely integrated into the framework and is folded away hydraulically prior to transport. The CS3600/2 is easy to transport to the job site using a hook-lift truck. Power is supplied from the crusher generator – a huge advantage at remote locations.

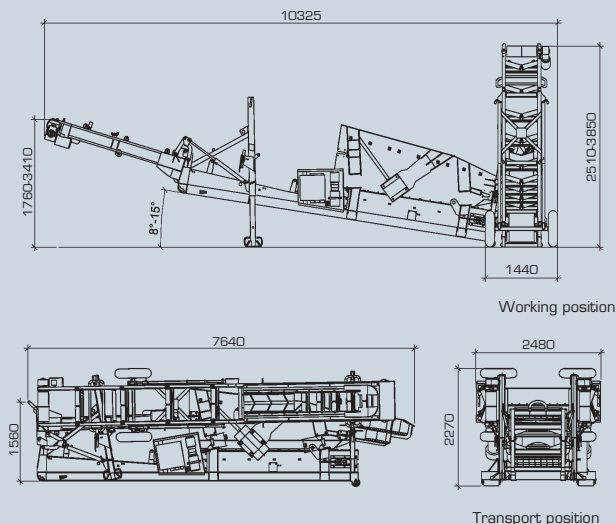


CS3600/2 – THE COMPACT DOUBLE DECK FINAL SCREEN

CS3600/2 - semi-mobile linear-oscillation final screen

throughput	up to 150 t/h, depending on screen angle, mesh size and feed material
feed material	crushed grains (rubble, concrete, asphalt, rock), round grains
feed material size	edges up to 70 mm long
screening range	0/4 to 0/40 mm
transport system	by hook-lift truck
transport weight	6.3 t
type	2 deck
screen box	screen length: 3,000 mm screen width: 1,200 mm screen angle: 8° - 15° (adjustable)
discharge belts	2 for oversized grain and 1 for screened grain screened grain belt, hydraulic-folding: axle spacing: 8,760 mm discharge height: 1,760 - 3,410 mm motor rating: 4.0 kW oversized material belt: axle spacing: 6,835 mm discharge height: 2,510 - 3,850 mm motor rating: 2.2 kW

Specifications subject to change in line with technical developments



Wide range of profitable applications thanks to high-performance crusher and screen – e.g. production waste



Excellent screening accuracy even at maximum throughput; highly efficient thanks to self-cleaning screen decks



For recycling jobs or gravel pits: the CS3600/2 is quickly transported and ready for action

The OS80 mobile oversized grain separator is the most cost-effective solution for producing standardised final grain in a single pass. Only one operator is needed: the feed material is processed at maximum throughput with minimum wear by RUBBLE MASTER RM70 or RM80 crushers. The patented OS80 is fitted to the crusher's discharge belt using quick-release levers, maintaining unrestricted movement of the crusher around the site. Three comb cascades reliably separate the defined oversized grain size. The return belt provides a closed-circuit system. The crusher/screen combination can be transported by low-loader and is ready for operation within 20 minutes of arrival on site. Power is supplied from the crusher generator.



OS80 – DEFINED VALUE GRAIN IN A SINGLE PASS

OS80 - mobile screen with return belt for oversize material

throughput
screening range
transport weight
type

up to 120 t/h final grain
0/20 to 0/65 mm
OS80 700 kg, RFB80 600 kg
3 finger cascades,
screen area 3 x 1,000 x 400 mm

main dimensions

length: 2,600 mm
width: 1,120 mm
height: 1,510 mm

discharge belt

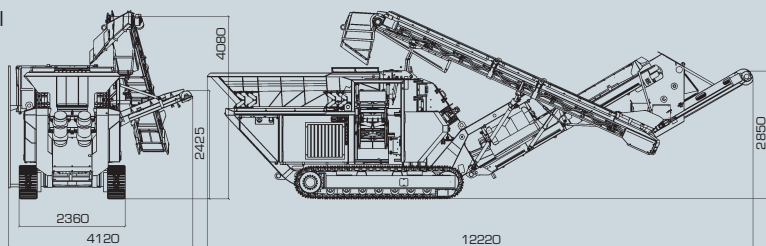
screened grain:
belt width: 800 mm
length: 2,300 mm
discharge height: 2,850 mm (RFB80)
2,600 mm (RFB70)

oversized grain:
belt width: 350 mm
length: 2,000 mm
discharge height: 1,890 mm (RFB80)
1,640 mm (RFB70)

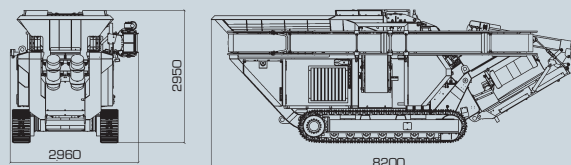
options

return belt RFB70, RFB80:
width: 810 mm
motor rating: 2.2 kW

Specifications subject to change in line with technical developments



Working position OS80 RFB80



Transport position OS80 RFB80



Defined final grain in a single pass in a closed circuit – only one operator required



Most cost-effective solution for grading material on-site – indispensable for road and rail projects



Profit from mobility: crusher and OS80 (including return belt) delivered with just one transporter

Together, the RM100 crusher and OS100 oversized grain screen form a mobile system to produce CE-certified cubic final grain to a standardised size – at the highest throughput and with low wear to the machinery. The OS100 is fitted to the crusher's discharge belt using quick-release levers, ensuring unrestricted mobility of the crusher around the job site. Four comb cascades reliably grade the material to the defined grain size with the return conveyor belt providing a closed circuit system. Both machines are transported with just one low-loader and are ready for operation within 20 minutes of arrival on site. Power is supplied from the crusher generator.

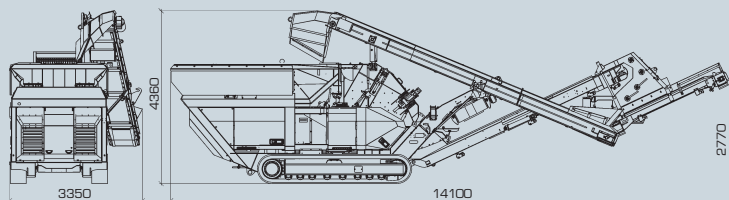


OS100 – CE-CERTIFIED GRAIN ACHIEVED IN A SINGLE PASS

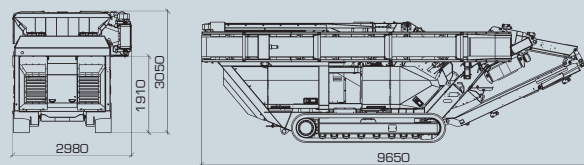
OS100 - mobile screen with return belt for oversize material

throughput	up to 170 t/h final grain
screening range	0/20 to 0/65 mm
transport weight type	OS80 1.1 t, RFB80 1.2 t 3 + 1 finger cascades, screen area 4 x 1,150 x 400 mm
main dimensions	length: 3,740 mm width: 2,270 mm height: 1,750 mm
discharge belt	screened grain: belt width: 1,200 mm length: 3,000 mm discharge height: 2,770 mm oversized grain: belt width: 500 mm length: 2,000 mm discharge height: 1,820 mm
options	return belt RFB100: width: 1,110 mm motor rating: 3.0 kW

Specifications subject to change in line with technical developments



Working position OS100 RFB100



Transport position OS100 RFB100



Low costs for high profit: single pass, maximum throughput, minimum wear



Excellent grain quality for demanding applications: screen lines approved by standards institutes



Unrestricted mobility on-site for RM crusher mounted on crawler gear plus oversized grain system

This crawler track-mounted double-deck screen is the cost-efficient solution for the production of high-quality, defined grain sizes. Thanks to the hydraulic-folding feed hopper with oversized grain mesh, the TS3600 can also be fed direct by the powerful RUBBLE MASTER RM100 crusher. In combination with the RM power pack with oversized grain return, it is possible to produce 3 classified final grain sizes in a single pass. The long, hydraulic folding discharge belts can be adjusted steplessly up to a discharge height of 3.5 metres. The screen can be operated by one person alone. All maintenance work can be carried out quickly and easily, thanks to perfect accessibility. The conveyor belts are folded hydraulically into the transport position for transport.



TS3600 – THE MOBILE HIGH-PERFORMANCE SCREEN

TS3600 - mobile twin-deck final screen with crawler gear

throughput up to 200 t/h, depending on feed material
 feed material rubble, asphalt, concrete, natural rock
 feed material size edges up to 250 mm long
 screening range 0/4 to 0/100 mm
 transport system crawler gear
 transport weight 15.5 t

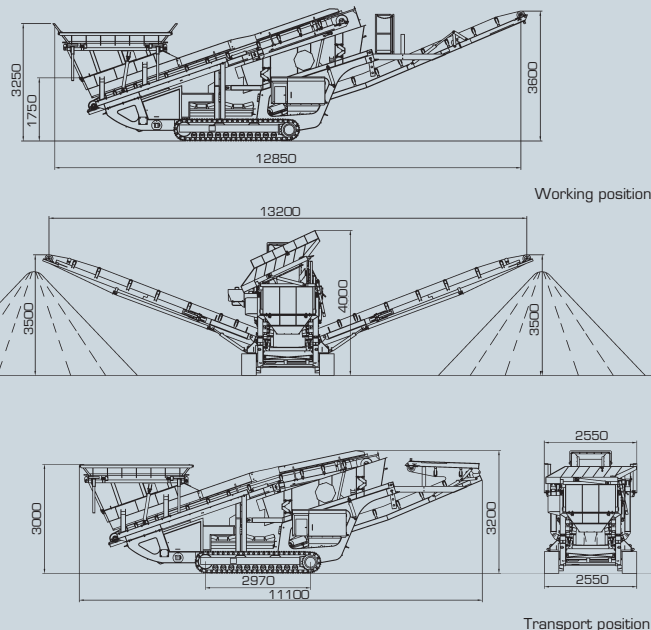
feed hopper volume: 3.8 m³
 tilting pre-screen: separation at 100 mm, hydraulic tilting mechanism (radio control optional)
 feed width: 3,200 mm
 feed height: 3,000 mm

screen box screen length: 3,000 mm
 screen width: 1,250 mm
 screen angle: 20° to 25°
 type: hydraulically adjustable
 2 deck

discharge belts number: 3 (fine/medium/oversize grain), hydraulic pivoting
 discharge height: up to 3,500 mm

power unit diesel engine: 41.5 kW, 4-cylinder

Specifications subject to change in line with technical developments
 (Detailed product brochure available for TS3600)



www.rubblemaster.com

RUBBLE MASTER[®]
 COMPACT RECYCLER

HMH

RUBBLE MASTER HMH GmbH
 Im Südpark 196 - AT 4030 Linz - Austria
 T +43 . 732 . 73 71 17-360 - F +43 . 732 . 73 71 17- 101
 sales@rubblemaster.com